

Technical Data Sheet

Compressor model **MX23FGa**
 Voltage **200-220/220-230V 50/60Hz ~1**
 Refrigerant **R404A**

APPLICATION		COMPRESSOR		MOTOR	
Application	Low Back Pressure	Displacement	23,20 cm ³	Nominal Power	7/8 hp
Refrigerant	R404A	Diameter	34,93 mm	Voltage/Frequency	220-230V 60Hz
Evaporating Temp.	-40,0 °C to -10,0 °C	Stroke	24,20 mm	Voltage range	198-253 V
Expansion	Capillar/Valve	Net Weight	16,74 Kg	Type	CSR
Comp. Cooling	Fan cooled	Oil type	ISO VG 32 ESTER	Phase number	1 PH
Max. ambient temp.	43,0 °C	Oil charge	650 cm ³	Locked Rotor Amps (LRA)	32,00 A
				Max. Cont. Current (MCC)	7,20 A
				Main W. resist. at 25°C	2,27 Ω
				Start W. resist. at 25°C	6,49 Ω

NOMINAL PERFORMANCE

	ASHRAE	CECOMAF
Cooling Capacity	1.075 kCal/h	843 W
COP	1,32 W/W	0,93 W/W
EER	1,13 kCal/Wh	0,81 kCal/Wh
Input Power	950 W	903 W
Current	4,30 A	4,08 A

APPROVALS



TEST CYCLE CONDITIONS

	ASHRAE LBP (B)	CECOMAF LBP (A)
Evaporating temp. (T _e)	-23,3 °C	-25,0 °C
Condensing temp. (T _c)	55,0 °C	55,0 °C
Liquid temp. (T _{liq.})	32,0 °C	55,0 °C
Ambient temp. (T _{amb.})	32,0 °C	32,0 °C
Suction temp. (T _{suction})	32,0 °C	32,0 °C
Voltage/Frequency	230 V 60 Hz	230 V 60 Hz

ELECTRICAL COMPONENTS

Starting capacitor	88-108 µF 330 V			
Run capacitor	20 µF 420 V			
Relay	Option 1	Option 2		
Reference	2014 180. + NTC15î©	QLZ 16.7A + NTC15î©		
Pick-Up	16.7 A	16.7 A		
Drop-Out	14 A	14 A		
Protector	Option 1			
Reference	T0260			
Current	22,00 A			
Time check	7,5-14 seg			
Disc temp. (Open/Close)	105,00 / 52,00 °C			

ASHRAE

Tc °C	Te °C	Cooling Capacity kCal/h	Consumption W	Current A	COP W/W	EER kCal/Wh
40	-40	485	595	2,62	0,95	0,82
40	-35	716	704	3,14	1,18	1,02
40	-30	991	824	3,71	1,40	1,20
40	-25	1.309	956	4,33	1,59	1,37
40	-23,3	1.427	1.003	4,55	1,65	1,42
40	-20	1.671	1.099	5,00	1,77	1,52
40	-15	2.076	1.254	5,71	1,93	1,66
40	-10	2.525	1.420	6,47	2,07	1,78

45	-40	440	580	2,54	0,88	0,76
45	-35	649	688	3,06	1,10	0,94
45	-30	902	808	3,63	1,30	1,12
45	-25	1.199	938	4,25	1,49	1,28
45	-23,3	1.310	986	4,47	1,55	1,33
45	-20	1.539	1.081	4,91	1,66	1,42
45	-15	1.923	1.235	5,62	1,81	1,56
45	-10	2.350	1.400	6,38	1,95	1,68

50	-40	395	565	2,47	0,81	0,70
50	-35	583	672	2,99	1,01	0,87
50	-30	814	791	3,55	1,20	1,03
50	-25	1.089	921	4,16	1,38	1,18
50	-23,3	1.192	968	4,38	1,43	1,23
50	-20	1.407	1.063	4,83	1,54	1,32
50	-15	1.769	1.216	5,54	1,69	1,46
50	-10	2.175	1.380	6,29	1,83	1,58

55	-40	350	550	2,40	0,74	0,64
55	-35	516	656	2,91	0,91	0,79
55	-30	726	774	3,47	1,09	0,94
55	-25	979	903	4,08	1,26	1,08
55	-23,3	1.075	950	4,30	1,32	1,13
55	-20	1.276	1.044	4,74	1,42	1,22
55	-15	1.616	1.196	5,45	1,57	1,35
55	-10	2.000	1.360	6,20	1,71	1,47

60	-40	305	535	2,33	0,66	0,57
60	-35	449	641	2,83	0,82	0,70
60	-30	637	758	3,39	0,98	0,84
60	-25	869	886	4,00	1,14	0,98
60	-23,3	958	932	4,22	1,19	1,03
60	-20	1.144	1.026	4,66	1,30	1,12
60	-15	1.463	1.177	5,36	1,45	1,24
60	-10	1.825	1.340	6,11	1,58	1,36

CECOMAF

Tc °C	Te °C	Cooling Capacity W	Consumption W	Current A	COP W/W	EER kCal/Wh
40	-40	510	595	2,62	0,86	0,74
40	-35	777	704	3,14	1,10	0,95
40	-30	1.080	824	3,71	1,31	1,13
40	-25	1.420	956	4,33	1,49	1,28
40	-23,3	1.544	1.003	4,55	1,54	1,33
40	-20	1.796	1.099	5,00	1,63	1,41
40	-15	2.209	1.254	5,71	1,76	1,52
40	-10	2.657	1.420	6,47	1,87	1,62

45	-40	441	580	2,54	0,76	0,66
45	-35	667	688	3,06	0,97	0,84
45	-30	929	808	3,63	1,15	0,99
45	-25	1.228	938	4,25	1,31	1,13
45	-23,3	1.338	986	4,47	1,36	1,17
45	-20	1.563	1.081	4,91	1,45	1,25
45	-15	1.934	1.235	5,62	1,57	1,35
45	-10	2.342	1.400	6,38	1,67	1,45

50	-40	372	565	2,47	0,66	0,57
50	-35	557	672	2,99	0,83	0,72
50	-30	778	791	3,55	0,98	0,85
50	-25	1.036	921	4,16	1,12	0,97
50	-23,3	1.131	968	4,38	1,17	1,01
50	-20	1.330	1.063	4,83	1,25	1,08
50	-15	1.660	1.216	5,54	1,37	1,18
50	-10	2.027	1.380	6,29	1,47	1,27

55	-40	303	550	2,40	0,55	0,48
55	-35	446	656	2,91	0,68	0,59
55	-30	627	774	3,47	0,81	0,70
55	-25	843	903	4,08	0,93	0,81
55	-23,3	925	950	4,30	0,97	0,84
55	-20	1.096	1.044	4,74	1,05	0,91
55	-15	1.386	1.196	5,45	1,16	1,00
55	-10	1.711	1.360	6,20	1,26	1,09

60	-40	234	535	2,33	0,44	0,38
60	-35	336	641	2,83	0,53	0,45
60	-30	476	758	3,39	0,63	0,54
60	-25	651	886	4,00	0,73	0,64
60	-23,3	719	932	4,22	0,77	0,67
60	-20	863	1.026	4,66	0,84	0,73
60	-15	1.111	1.177	5,36	0,94	0,82
60	-10	1.396	1.340	6,11	1,04	0,90

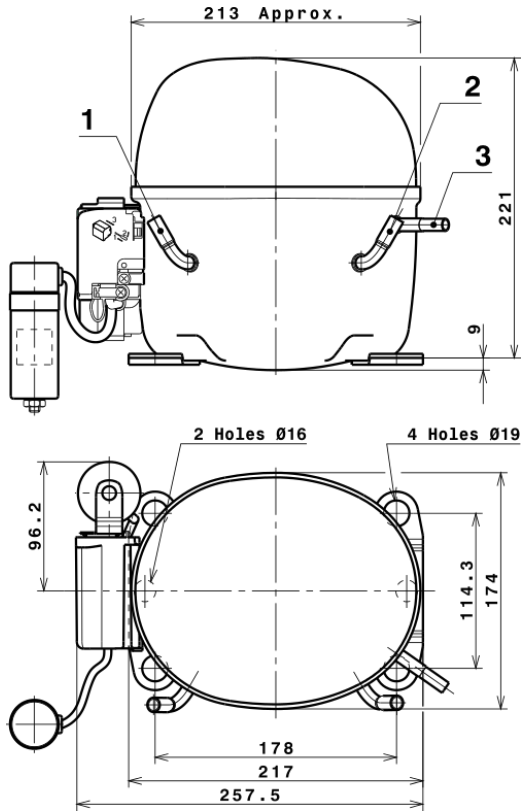
EN12900

X	Cooling Capacity (W)	Consumption (W)	Current (A)	Mass Flow (kg/h)
1	6.735,2321626831	2.016,4302285522	9,1818206187	154,72480087178
2	169,9615716741	41,8220902217	0,1887201695	4,3717718720333
3	-79,8106994772	-4,4543639126	-0,0200627998	-1,2776427884108
4	0,6892074438	0,2420526366	0,0010218312	0,027313550819183
5	-1,6533981916	-0,0346985204	-0,0001336496	-0,025644038219164

Equation	$x_1 + x_2Te + x_3Tc + x_4Te^2 + x_5TeTc$
----------	-------------------------------------------

Technical Data Sheet

COMPRESSOR DIMENSIONS

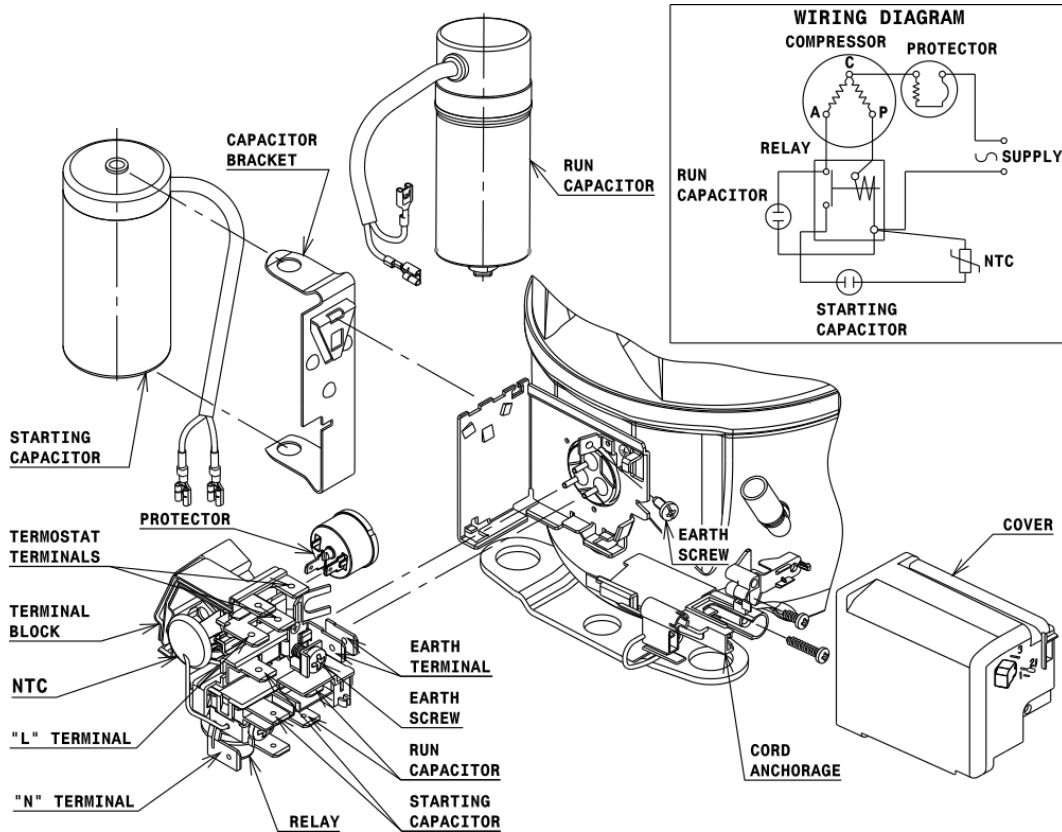


DESIGNATION INTERNAL DIAM.

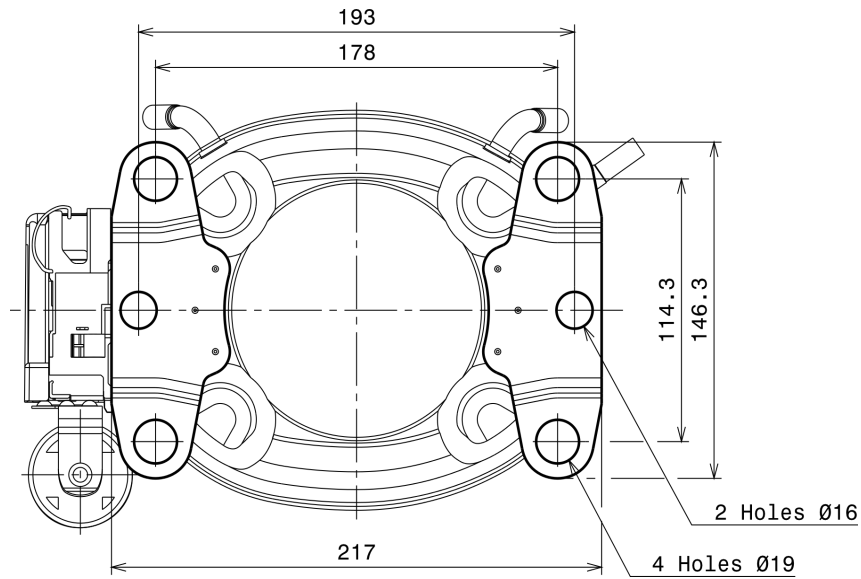
DESIGNATION	INTERNAL DIAM.
1 Service	9,7 mm
2 Suction	9,7 mm
3 Discharge	6,5 mm

WIRING DIAGRAMS AND ELECTRICAL ASSEMBLY

CSR CONNECTION (CURRENT RELAY + NTC) (X range)



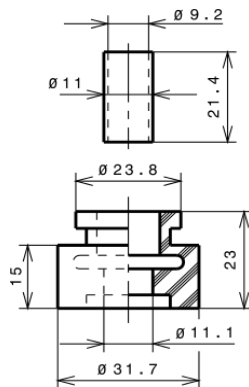
FIXINGS



SILENT BLOCKS (MOUNTING ACCESSORIES)

STANDARD

$\varnothing 19$ holes (178x114.3 net)



SOA

SOA R404A LBP

